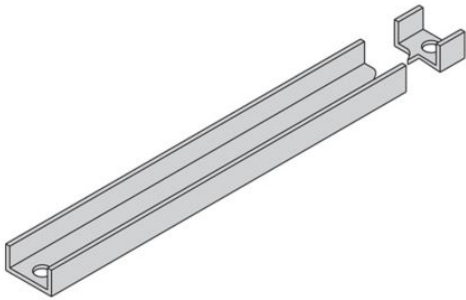


Eaton SB24B10FB

Catalog Number: SB24B10FB

Eaton auxiliary support channel, Steel, 10" length, Flat black powder coat, 1" x 2" Support channel

General specifications



Product Name	Catalog Number
Eaton auxiliary support channel	SB24B10FB
UPC	Product Length/Depth
799038169284	10 in
Product Height	Product Width
1 in	2 in
Product Weight	Certifications
23.3 lb	Not Applicable

Product specifications

Model

1" x 2" support channel

Material

Steel

Finish

Flat black powder coat

Resources

Catalogs

[auxillary supports](#)

Specifications and datasheets

[Eaton Specification Sheet - SB24B10FB](#)



Eaton Corporation plc
Eaton House
30 Pembroke Road
Dublin 4, Ireland
Eaton.com

© 2023 Eaton. All Rights Reserved.

Eaton is a registered trademark.

All other trademarks are property of their respective owners.



[Eaton.com/socialmedia](https://www.eaton.com/socialmedia)